

# ***Pan & Tilt Lenses***



**CPT-70F-02A**

# PAN & TILT HEAD SPECIFICATIONS

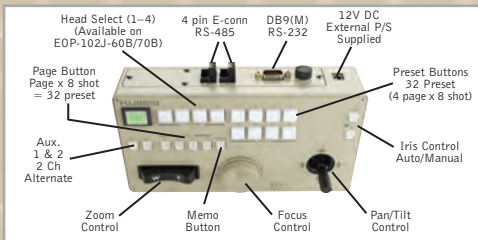


MODEL	CPT-70F-02A
Pan Range	300°
Pan Speed	25° / Sec.
Tilt Speed	20° / Sec
Tilt Range	+/- 95°
Stopping Accuracy	+/- 5'
Lens Type	MD
Acoustic Noise	NC40db
Load Capacity	4 kg / 8.8 lbs.
Power Consumption	DC 15V/10W (max)
Operating Temperature	-10° C ~ +50° C
Power Source (ESC-103K-04A)	15V DC
Drive System	DC Servo
Weight	2.3 kg / 5.06 lbs.
Dimensions WxDxH (mm)	130 x 102 x 222
Max. Cable Length	1350 m / 4430 ft.

\* From power supply (CPS-401A-10DA) \*\*EOP-102J-60B not available on CPT-70D-02A

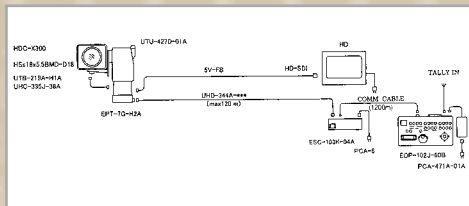
## PAN & TILT

### EOP-102J-70B



## PAN & TILT

### EPT-7G-H2A CONFIGURATIONS

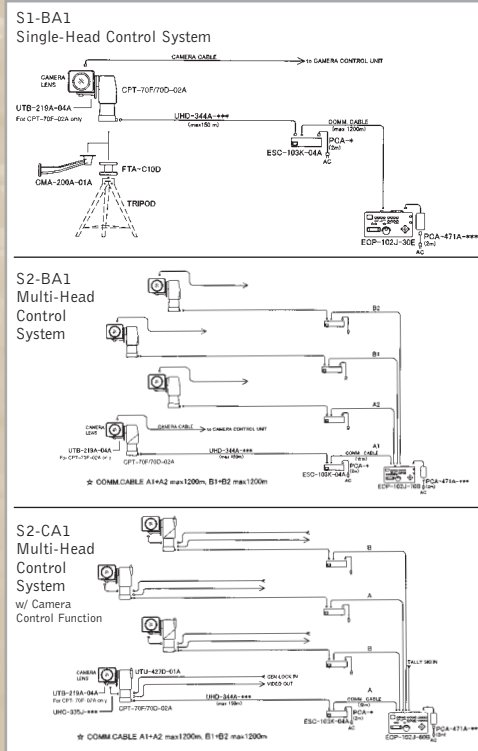


## PAN & TILT CONTROLLERS



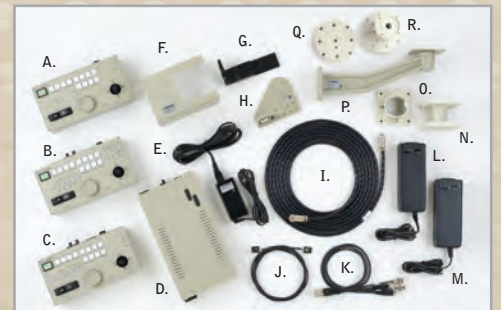
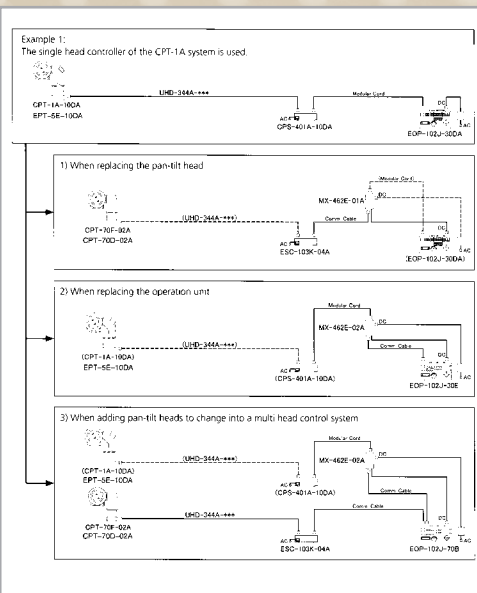
	EOP-102J-30E	EOP-102J-60B	EOP-102J-70B
Operation	RS-485 via twisted pair cable – E-connector/RS-232 via DB-9 connector		
Pan / Tilt		Variable-speed joystick	
Zoom		Variable-speed rocker switch	
Focus		Variable-speed potentiometer	
Iris		Close, open, auto, remote	
Shot Memory	32	32 per head	32 per head
Back-up		Reservable for more than 5 years (Lithium battery)	
Qty of Head Control	1	4	4
Auxiliary Input		2 auxiliary relay contacts for controlling accessory equipment at the pan and tilt head	
Power Source	120 VAC via 12 VDC adapter (included)		
Power Consumption	5 W		
Camera Control		Camera On/Off	Shutter Speed
		Gain Adjust, Color Bar	Auto White, Auto Black
Weight	Approximately 0.8 kg		

### CPT-70F/70D CONFIGURATIONS



### COMPATIBILITY WITH EXISTING SYSTEMS

Compatibility with existing CPT-1A and EPT-5E systems is possible by the utilization of certain adaptors. The diagrams below depict some common configuration scenarios.



- A. EOP-102J-30E
- B. EOP-102J-60B
- C. EOP-102J-70B
- D. ESC-103K-04A
- E. PS-470A-01A
- F. UTB-219A-03A
- G. CLH-8B
- H. UTB-219A-02A/04A
- I. UHD-344A-XXX
- J. Communication Cable Between EOP & ESC
- K. UHC-335J-XXX
- L. MX-462E-01A
- M. MX-462E-02A
- N. FTA-C10D
- O. FPA-C10D
- P. CMA-200A-01A
- Q. FHTA-10 Tripod Adaptor
- R. FH-10-High Hat Mount