



Stand Mount 300W/650W 220/230V code 3100

Specifications

Category : **EFP**

Application : **complete entry level kit for the budding Digital Video enthusiasts**

Dual output (300w and 650w lamp options), durable, lightweight and simple construction. As per portrait in digital photography, this light delivers a very wide and even light beam for perfect fill lighting with wide angle lenses in interview close-ups. Built-in umbrella adapter SPEED SOFT.

Supplied fully equipped in Set READY TO GO.

(diffuser, barndoor and lamp included in the price)

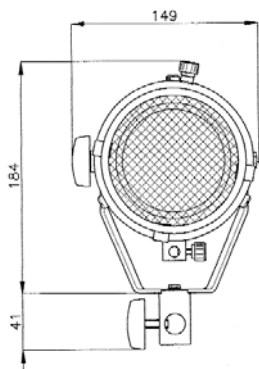
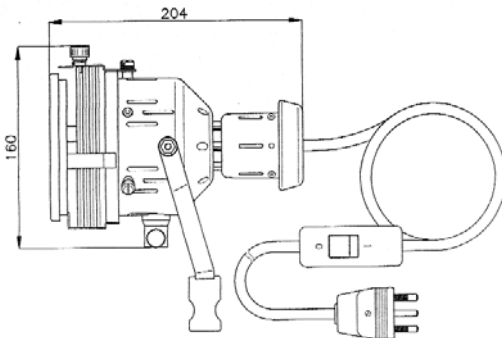
- Superior quality aluminium reflector materials 99,99% extra pure.
- Computer aided reflector design & coatings (by proprietary Ianiro software).
- Robust and durable construction.
- Even and very wide light beam (**Fixed focus**)
- Built-in Speed Soft umbrella adapter.
- Universal stand mount 16mm compatible with handle.
- Power cable 3,50m long, section 3x1 mmq, Titanex HAR H07 RN



DIGIDUAL KIT

Photometrics

DISTANCE 3 m (300w -120/240v)	
light center value	873
beam angle= beam at 50% peak value	47°
field angle= beam at 10% peak value	92°



SPEEDSOFT DIFFUSER UMBRELLA WITH ATTACHMENT SPIGOT ON BOARD

