

GULLIVER 300W



code 1760

Specifications

Gulliver 30: 300w - 120/240V
yoke mount - kg.0,650

with dimmer: **code 1760 dim**

Lightweight construction in aluminum
Front radiator housing
Spot/flood by rear knob
Integral safety glass
Switch 6Amp. 230V - 12Amp. 125V placed on the rear panel.
Extra-pure aluminium reflector
Epoxy anti-scratch finish
Lamp type 64516 osram (300w - 3200°k) 230v
Lampholder: G 6,35.
Power cable 3,50m. long, section 3 x 0,75 mmq
Available in-line dimmer 60-300W 230V AC, 50Hz



CODE 1760 with accessories

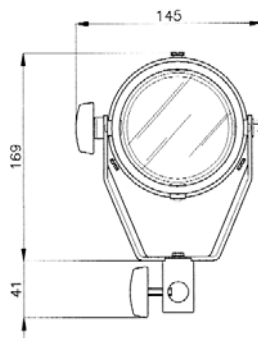
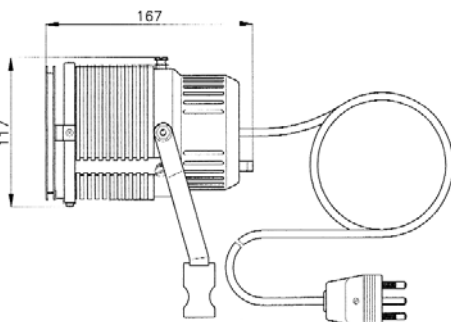
Accessories

- Code 1701:** 110 gr. Four leaf barndoor + gel clips
- Code 1702:** 90 gr. Dichroic daylight filter
- Code 1703:** 90 gr. Diffuser glass
- Code 1705:** Short camera mount
- Code PHO WD small:** White dome
- Code 161:** 320 gr. Umbrella ø 80 cm.
- Code M026:** 350 gr. Umbrella universal adapter lite-tite
- Code 106:** Mini Pro Alu stand (Minipro 051N)
- Code 301:** Maxi Alu stand (compact 052)
- Code 327:** Gag grip with 5/8" (16mm) spigot

Photometrics

	DISTANCE 1m		DISTANCE 2m		DISTANCE 3m	
	SPOT	FLOOD	SPOT	FLOOD	SPOT	FLOOD
Øbeam	60	80	1,20	1,70	1,80	2,50
LUX	9860	5000	2640	1320	1190	680

Fitting halogen lamps with G 6,35 (bi-pin)base 3200°K



CODE 1760