



Specifications

Category : **ENG**

Application : **on board of HDV camcorders.**

Developed for the new HDV cameras generation, this small focusable, lightweight and rugged light delivers cost efficiency in term of both product acquisition and running costs.

Nominal power 10W / 7,2V , but the lamp is boosted and delivers a 20W light output.

It can be powered by the dual Cam/Light battery packs laniro with DC socket:

cod. 3201: Cam/Light Li-Ion type Sony 8800mAh 65Wh 7,4V for HDV HVR-Z1E, DSR V1E

cod. 3208: Cam/Light Li-Ion type Panasonic 8800mAh 65Wh 7,4V for AG HVX 200E

cod. 3208: Cam/Light Li-Ion type Sony 8800mAh 65Wh 7,4V for HVR Z5, HVR Z7

Supplied fully equipped in Set **READY TO GO.**

(daylight filter, barndoor and lamp included in the price).

- Soft start to protect the camcorder when the lamp is switched on (4sec)
- Superior quality reflector aluminium 99,99% extra pure.
- Computer aided reflector design & coatings (by proprietary laniro software).
- High rendering bulb.
- Robust and durable construction.
- Uniform light beam. Variable spot-flood aperture.
- Even light beam from edge to edge.
- Elegant design.
- Connector for laniro dual Cam/Light batteries.

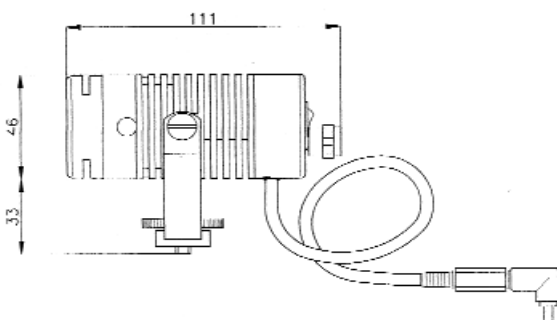
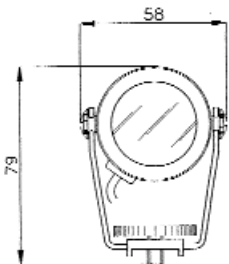


ACCESSORIES SET INCLUDED



Photometrics

DISTANCE 1 m (LAMP TYPE 10W High Rendering (=20W))	SPOT	FLOOD
light center value	565	342
beam angle	21°	41°
RATIO	1: 1,65	



BATTERY PACK CODE 3201