

SOLARIS IKW PO/MO



code 1800

Specifications

Front and rear frame in aluminium 2mm thick.
Lens door die cast aluminium.
Body housing in steel.
Colour matt black heat resistant.
Fresnel lens diam. 152mm F100-55 (or 150mm 110-60).
Extra-pure aluminum reflector 99,99%.
Lampholder G22.
Fitting halogen lamps 650W CP68, 1000W CP71,
1200W CP93 (3200°K)
Spot Flood control Manual or Pole Operated.
M.O. and P.O. Yoke mount in steel, with 1-1/8" (29mm) spigot.
Power cable Titanex HAR H07 RN - section 3x1,5mmq
4m. long for M.O. , 3m. long for P.O.
8 Amp. 250V switch on board (16Amp. 125V).
Inox safety wire guard.
Supplied with gel frame and wireguard.
Weight 5,600 Kg M.O. - 7,315 kg. P.O. Without cable.



CODE 1800 P.O.

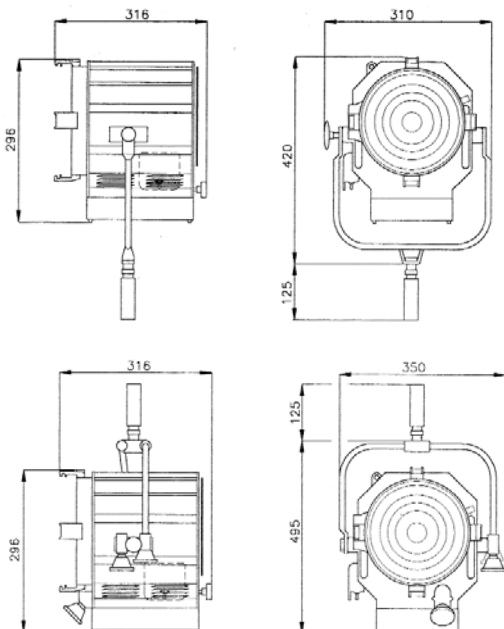
Accessories

Code 1801: 530 gr. (supplied with lamphead) Four leaf rotating barndoor.
Code 1802: 130 gr. (supplied with lamphead) Gel frame.
Code 1804: Single scrim.
Code 1805: Double scrim.
Code 1806: Half single scrim.
Code 1807: Half double scrim.
Code 315: C clamp with 29mm socket

Photometrics

DISTANCE 3 m	SPOT	FLOOD
light center value	12630	962
beam angle= beam at 50% peak value	6°	61°
field angle= beam at 10% peak value	12°	69°
RATIO	1:13,1	

Fitting halogen lamps with G22 (Bi-post 22) base.



CODE 1800 M.O.