

# SOLARIS 2KW PO/MO



code 1850

## Specifications

Front and rear frame in aluminium 2mm thick  
Lens door die cast aluminium  
Body housing in steel  
Colour matt black heat resistant  
Fresnel lens Ø 250 mm. - F120-45  
Extra-pure aluminum reflector 99,99%  
Lampholder G38 (Bi-post 38)  
Fitting halogen lamps 2000W CP41 (3200°k)  
Spot Flood control Manual or Pole Operated  
M.O. and P.O. Yoke mount in steel, with 1-1/8" (29mm) spigot  
Power cable Titanex HAR H07 RN - section 3x2,5mmq  
5,0 m. long for M.O. , 3,0 m. long for P.O.  
10 Amp. 250V switch on board (20Amp. 125V)  
Inox safety wire guard  
Supplied with gel frame and wireguard  
Weight 11,600 Kg M.O. - 13,300 kg. P.O. Without cable

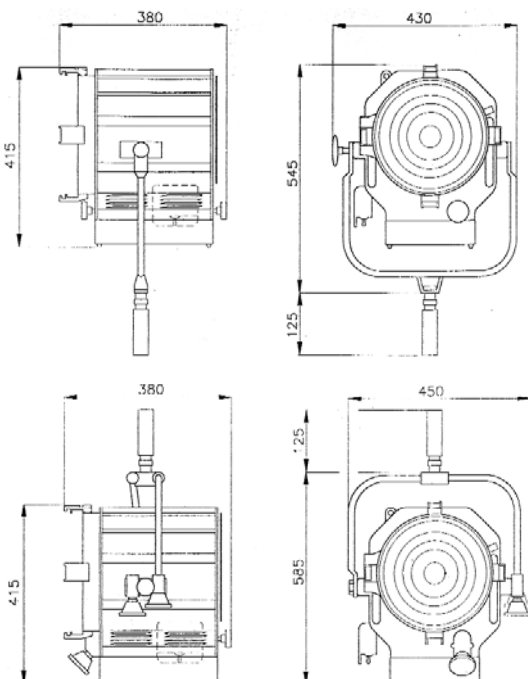
## Accessories

**Cod. 1851:** 580 gr. (supplied with lamphood) Four leaf rotating barndoor.  
**Cod. 1852:** 170 gr. (supplied with lamphood) Gel frame.  
**Cod. 1853:** Single scrim.  
**Cod. 1854:** Double scrim.  
**Cod. 1855:** Half single scrim.  
**Cod. 1856:** Half double scrim.  
**Cod. 315:** C clamp with 29mm socket

## Photometrics

DISTANCE 5 m	SPOT	FLOOD
light center value	13200	1065
beam angle= beam at 50% peak value	7°30'	58° 30'
field angle= beam at 10% peak value	31°	69° 40'
RATIO	1:12,4	

Fitting halogen lamps with G38 (Bi-post 38) base.



CODE 1850 P.O.



CODE 1850 M.O.