

SOLARIS SILVER 300W MO



code 1630 SIL

Specifications

Construction all in aluminium.
Colour matt silver anodized heat resistant.
Fresnel lens diam. 80mm F40 - 14.
Lampholder GY9,5.
Fitting halogen lamps 300W CP81(3200°K)
Spot Flood control Manual.
M.O. Yoke mount in aluminium, with 5/8" (16mm) diam. spigot.
Power cable 3x1mm² 3,5 m. long. HAR H07 RN
8 Amp. 250V switch in line (16Amp. 125V).
Inox safety wire guard.
Supplied complete with gel frame and barndoor.
Weight : MO 1,33 Kg. Without cable.

Accessories

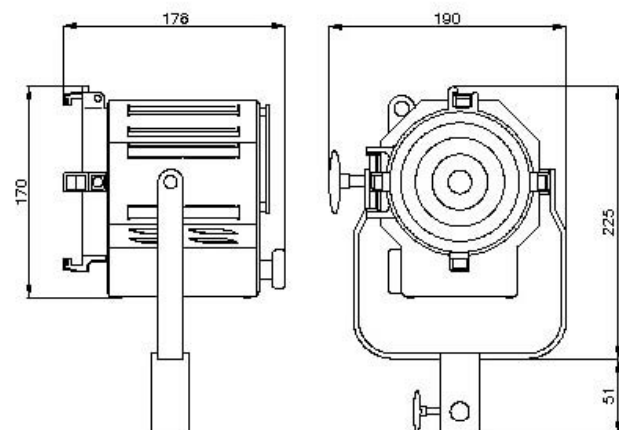
Code 1631: Four leaf rotating barndoor (supplied with lamphead)

Code 1632: Gel frame (supplied with lamphead)

Photometrics

DISTANCE 3 m	SPOT	FLOOD
light center value	1960	440
beam angle= beam at 50% peak value	13°	52°
field angle= beam at 10% peak value	na	na
RATIO	na	

Fitting halogen lamps with GY9,5 base



1630 SIL



Available in **Gold** (1630 GL) and **Black** (1630)