

SOLARIS SILVER 650W MO



code 1650 SIL

Specifications

Construction all in aluminium.
Colour matt silver anodized heat resistant.
Fresnel lens diam. 120 mm F80 - 32.
Lampholder GY9,5.
Fitting halogen lamps 650W CP89, 64717, 6638 (3200°K)
Spot Flood control Manual.
M.O. Yoke mount in aluminium, with 5/8" (16mm) diam. spigot.
Power cable 3x1mmq 3,5 m. long. HAR H07 RN
8 Amp. 250V switch in line (16Amp. 125V).
Inox safety wire guard.
Supplied complete with gel frame and barndoor.
Weight : MO 1,80.Kg. Without cable.

Accessories

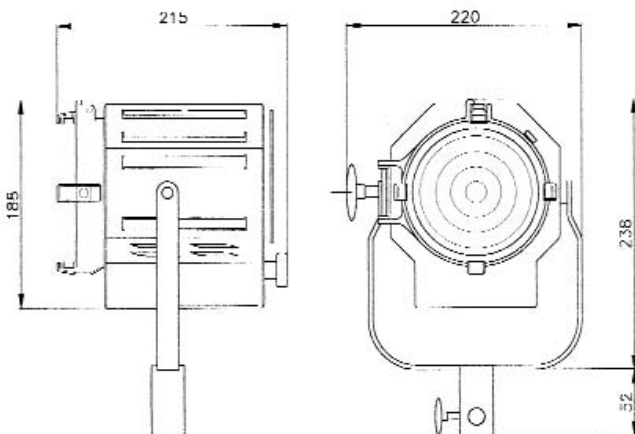
Code 1651: Four leaf rotating barndoor (supplied with lamphead)

Code 1652: Gel frame (supplied with lamphead)

Photometrics

DISTANCE 3 m	SPOT	FLOOD
light center value	8650	1250
beam angle= beam at 50% peak value	8°	47°
field angle= beam at 10% peak value	16°	60°
RATIO	1:7	

Fitting halogen lamps with GY95 base.



1650 SIL



1650 GL

Available in **Gold** (1650 GL)